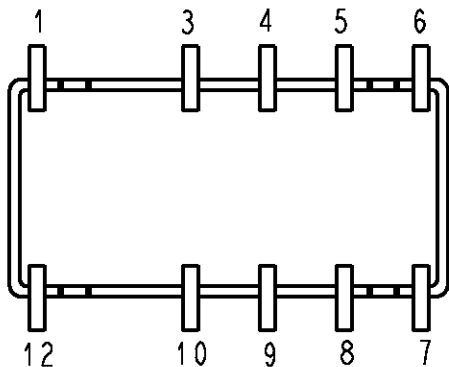
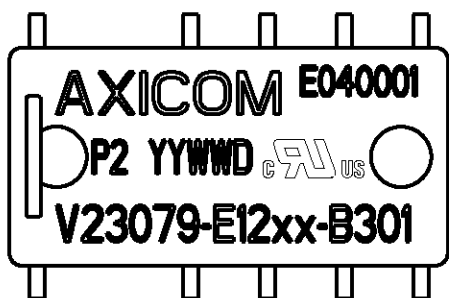
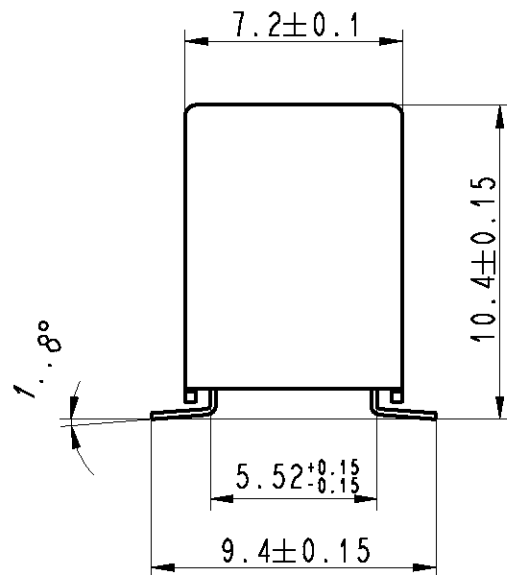
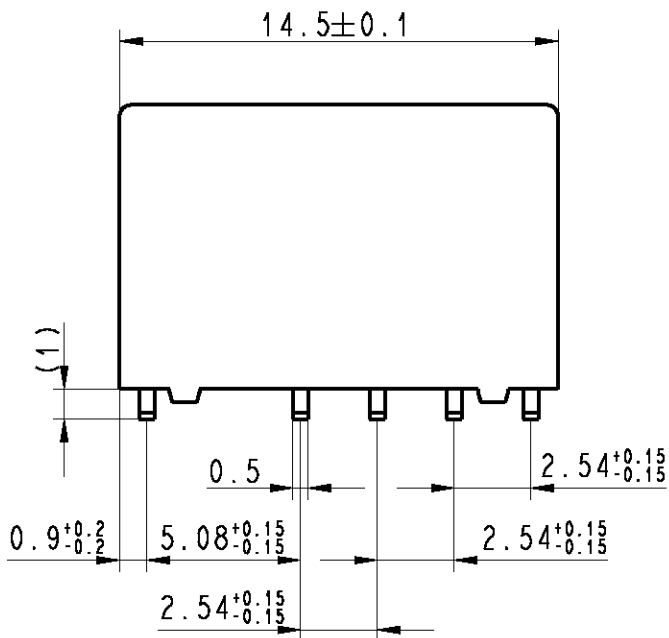


LOC	DIST	REVISIONS					
		P	LTR	DESCRIPTION	DATE	DWN	APVD
HJ	-		C2	REVISED PER ECO-11-005150	25MAR11	RK	HMR



Relay - bottom view



xx = Relay type  
YYWW = Date code

DRAWING ALIAS C23303-A079-A004

RELEASED FOR PUBLICATION

THIS DRAWING IS UNPUBLISHED.

ALL RIGHTS RESERVED.

BY -  
© COPYRIGHT

DIMENSIONS: mm	DWN	Korytak	02Jun2004	MATERIAL	-	FINISH	-
	CHK	Korytak	02Jun2004				
TOLERANCES UNLESS OTHERWISE SPECIFIED: DIN 7168-m	APVD	Korytak	02Jun2004				
0 PLC ±-	PRODUCT SPEC	-					
1 PLC ±	APPLICATION SPEC	-					
2 PLC ±	WEIGHT	-					
3 PLC ±	CUSTOMER DRAWING	-					
4 PLC ±	SCALE	4:1					
ANGLES ±-	SHEET	1 OF 1					
	REV	C2					
	NAME	P2-Relay SMT W Dimensions					
	SIZE	A4	CAGE CODE	00779	DRAWING NO	C-1393788-7	RESTRICTED TO
							-